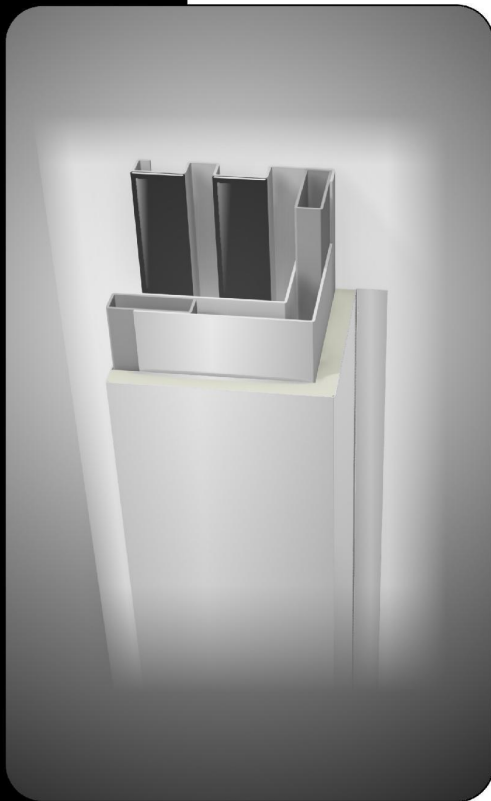


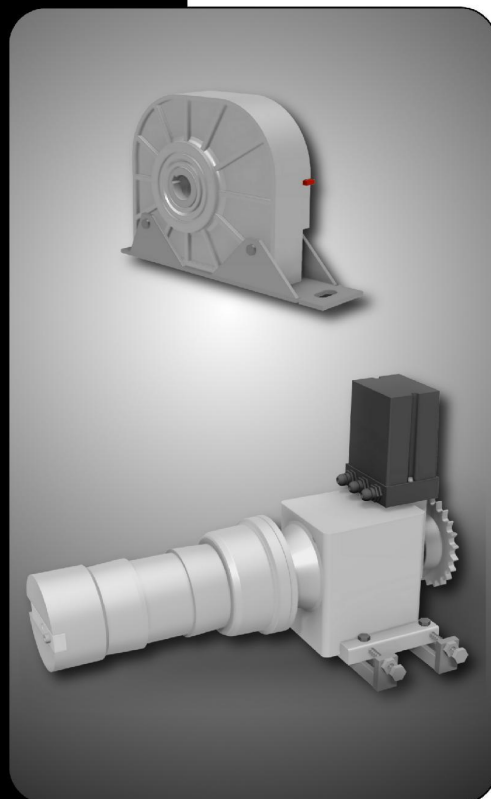
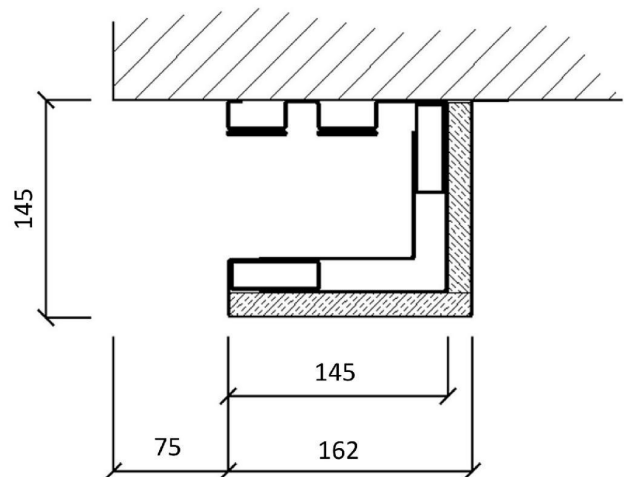
RGS EI (1) 120

 **Blackfire**



Side guides

The guides of the rolling shutter are made up of galvanized steel profiles, filled with insulating plasterboard. Two intumescent fire seals form a lateral fire barrier.



Drive system

The RGS EI(1)120 rolling shutters are driven by a self closing chainwheel motor. In case of fire detection the main electromagnet disengages, causing the shutter to close by gravity, slowed by an internal centrifugal brake. An anti-fallback device prevents the shutter to close in case of chain breakage.

Motor type	FS 15.20	FS 25.20	FS 50.20	FS 110.18
Power kW	0.30	0.45	0.90	1.1
Voltage V	3 x 400	3 x 400	3 x 400	3 x 400
Current nom. A	1.5	2.0	2.7	4.1
Duty cycle	53-60%	53-60%	53-60%	53-60%
Wiring / fusing	5x1.5 ² / 10A	5x1.5 ² / 10A	5x1.5 ² / 10A	5x1.5 ² / 10A
Weight	26	45	70	105