



Fireproof rolling shutters
BLOCKSHUTTER E90



BLOCKSHUTTER E90 is a compartmentalization product tested to guarantee the system's integrity up to 1000 °C for 90 minutes (E performance).

The elements are securely hooked together and blocked with steel lateral stops to prevent slipping between the slats and guarantee the uniform elements descent.

A robust L shaped profile 3,00 mm thick with a thermo expanding sealing gasket applied, complete the bottom element. In order to increase the wind load and internal vortex resistance that may occur, the lateral elements are fixed with resistance hooks





BLOCKSHUTTER E90 is normally supplied with three phase wheel chain motor 400V- with Gravity Fail safe system with electric brake that control the speed descent of the curtain even in case of power failure and in addition has manual chain operation option. It is mandatory for the Gravity fail safe functioning to install anacoustic and visual signal in according to EN 12604.

A back up battery is integrated in the control panel and in case of power failure, assure continuity of the power supply to the magnetic brake to avoid an unexpected leaf's descent. The control panel is arranged for connection to the fire alarm and smoke or temperature detection system.

An built-in keyboard with up/down/stop inputs is provided.

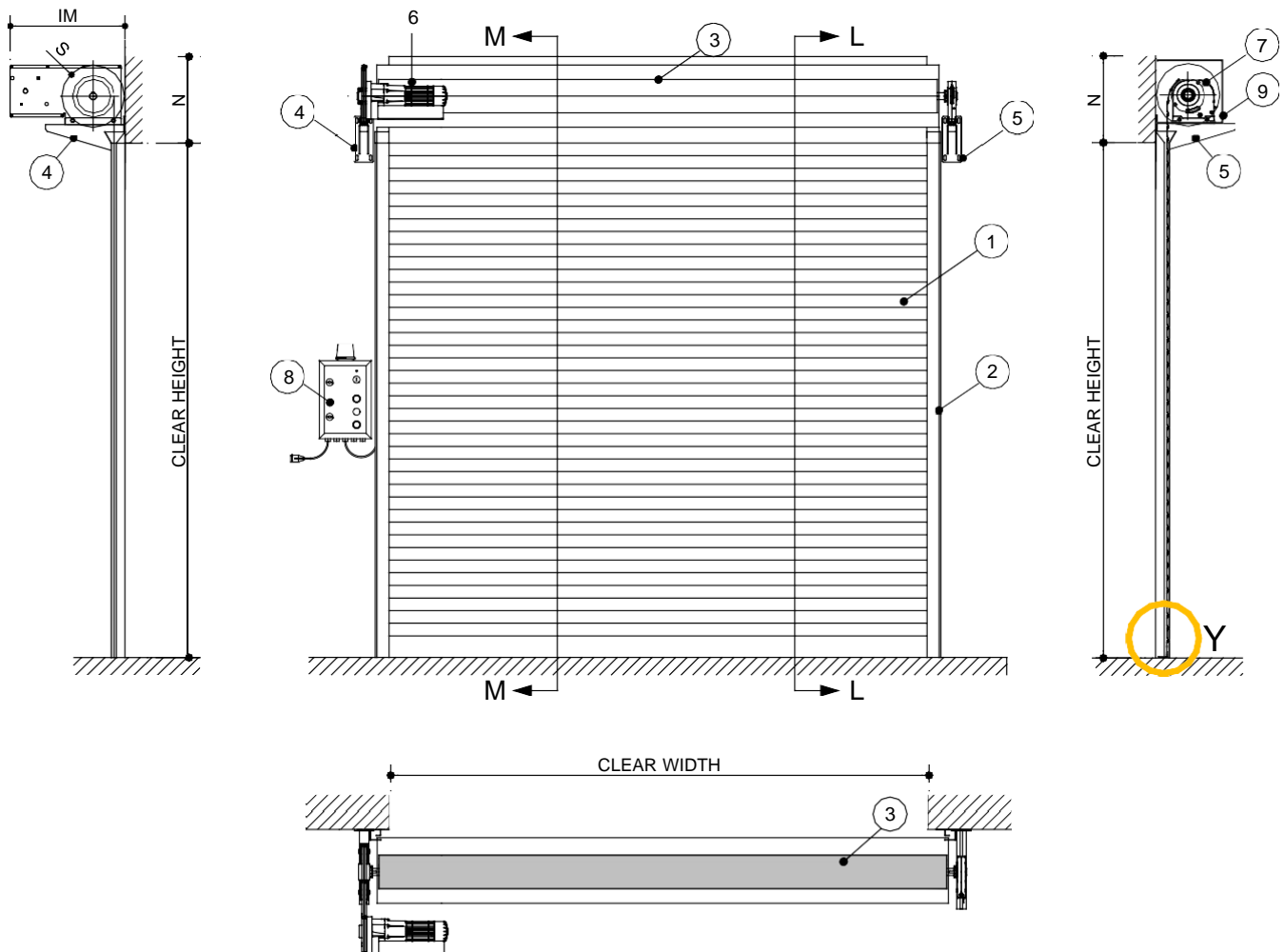
Front wall fixation on the wall with threaded rods of $\varnothing 12$, 450 Kg/m³ minimum wall density allow, 200 mm thickness.

On request: automatic operation, casing and RAL coating.

BLOCKSHUTTER E90 is certified **WIND LOAD CLASS 2** in according to **EN 13241-1** and **CE MARKED** in according to **EN 16034:2014**, **EN 13241:2016**

INSTALLATION SCHEME/ OVERALL DIMENSIONS

Installation scheme type 1



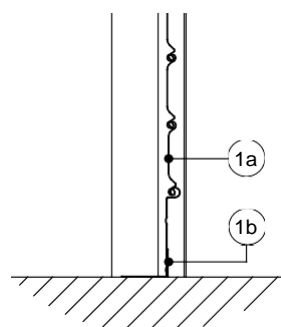
Components

1. Rolling shutter leaf
2. Sliding guides
3. Winding shaft
4. Motor support bracket
5. Anti drop device support brackets
6. Motor
7. Anti drop device
8. Control panel
9. Head box casing

Installation scheme Type 1

Motor and anti drop device support brackets fixed on the wall
Lateral sliding side guides, fixed on the wall

Construction detail



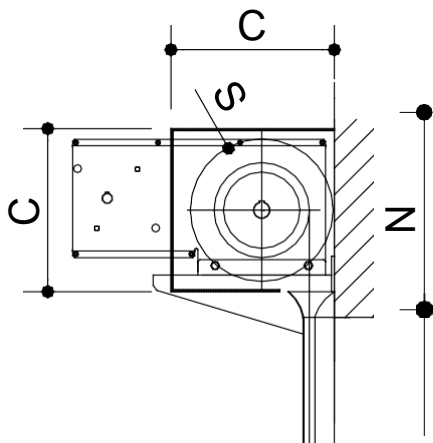
Y Detail

1a. Galvanized steel element, single sheet, 73 mm.

1b. Steel bottom element, in galvanized steel, single leaf 92 mm, bottom bead 50x30 mm.

The support system is composed of two brackets to which is inserted the support winding shaft D. 133 mm. It is supplied as standard with a roll cover box in pressed sheet metal that serves as both embellishment and flame protection.

Overall dimensions



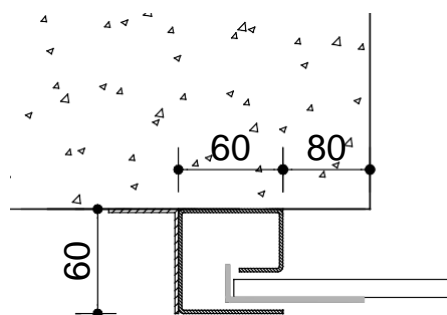
Clear height (mm)	N (mm)	S (mm)	C (mm)
2000	280	270	400
2500	310	300	400
3000	340	330	400
3500	360	350	450
4000	400	390	450
4500	430	420	500
5000	450	450	500

GENERAL CHARACTERISTICS / LATERAL SIDE GUIDES

The lateral side guides are made of galvanized steel, with a dimensions of 60 x 60 mm, and must be installed 80mm from the clear width edge (valid within a rolling shutter's width of 6.00 mt), together with a 3,00 mm strong bead for wall fixation.



upper view



Front wall installation of side guide
(valid dimensions up to W. 6.000 mm)

Guide type	Curtains dimensions max W. x H. (mm)	Guide dimensions max W. x D (mm)
GE80	up to 10.000 x 8.000 (front wall fixation)	80 x 80

Important: lateral side guides are mandatory

MOTION DEVICES / MOTORS AND CONTROL PANEL

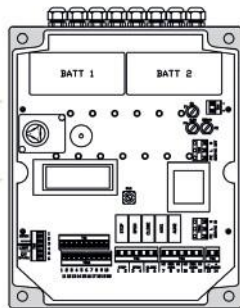
MOTOR



SINGLE PHASE MOTORS		JM150	JM500	JM500 (BP8)	JM750
	Volt	230V / 1Ph / 50Hz			
	Watts	90	370	370	370
	AMPS	1.8	3.5	3.5	3.5
	Gearbox Output Speed	34	34	34	22
	Unit Torque Nm	20	62	62	95
	Standard Sprocket on Unit	11T 3/8 Pitch	9T 5/8 Pitch	9T 5/8 Pitch	10T 5/8 Pitch
	Max Lifting Height(m)	4	5.5	4.5	7
	Lifting Capacity kgs	170	500	600	750
	RPM	6.2	6.2	5.1	3.4
Torque Nm	112	343	413	607	

THREE PHASE MOTORS		JM200	JM500	JM500 (BP8)	JM750	JM1000	JM1500	JM2200
	Volt	400V / 3Ph / 50Hz						
	Watts	120	250	250	300	370	750	750
	AMPS	0.7	0.9	0.9	1.2	1.5	2.8	2.5
	Gearbox Output Speed	34	34	34	22	22	15	16.5
	Unit Torque Nm	30	62	62	95	128	368	427
	Standard Sprocket on Unit	11T 5/8" Pitch	9T 5/8" Pitch	9T 5/8" Pitch	10T 5/8" Pitch	9T 3/4" Pitch	11T 1" Pitch	14T 3/4" (duplex) Pitch
	Max Lifting Height(m)	4	5.5	4.5	7	7	13	14
	Lifting Capacity kgs	200	500	600	750	1000	1500	1800
	RPM	6.2	6.2	5.1	3.4	3.5	3.4	3.2
Torque Nm	165	343	413	607	810	1610	2500	

CONTROL PANEL



GENERAL FDCP	Power Supply	230v - 50 Hz
	Max Motor Load	6.3A @ 230 v
	Max Accessories Load	4A @ 24v d.c
	Working Temp	- 20 to + 70° C
	Protection Fuses	Ext 24v d.c: F1 = T4A, Delayed Mains: F2 = T200mA, Delayed Relays: F3 = T6.3A, Delayed
	Batteries	2 x 12V 1.3Ah
	Dimensions (mm)	236 (w) x 286 (h) x 108 (h)
	Weight (Kg)	3.0

Application:

Whilst maintaining the function of every day use the FDCP gives advanced warning in the event of a fire before closing the shutter or curtain, protecting both personnel and property from the effects of smoke and fire.

Built in comprehensive diagnostics which include mains fail and low battery charge

Can be fully interfaced with building management systems

STANDARDS AND CONFORMITY	The FDCP complies to the following EMC and Low Voltage standards and directives	
	EMC Directive:	Direttiva 2004/108 / CE
	Low Voltage Requirements:	Direttiva 2006/95 / CE
	and In association with:	
		EN 60204-1: 2006+A1: 2009 / EN 61000-6-1: 2007 EN 61000-6-2: 2005 / EN 61000-6-3: 2007+A1: 2011 EN 61000-6-4: 2007+A1: 2011 / EN 12453:2001 EN 50272-2: 2001